

# Optimized Off-Conveyor for Medium format filler

*Optimized lubrication and a new bearing facilitate the day to day production and help lead to a longer lifetime.*

**Trouble-free** conveying has a great impact on the complete downstream.

**SIG** strives at all times to find solutions to improve the already good and reliable filling system to satisfy your needs.

#### **What did we do?**

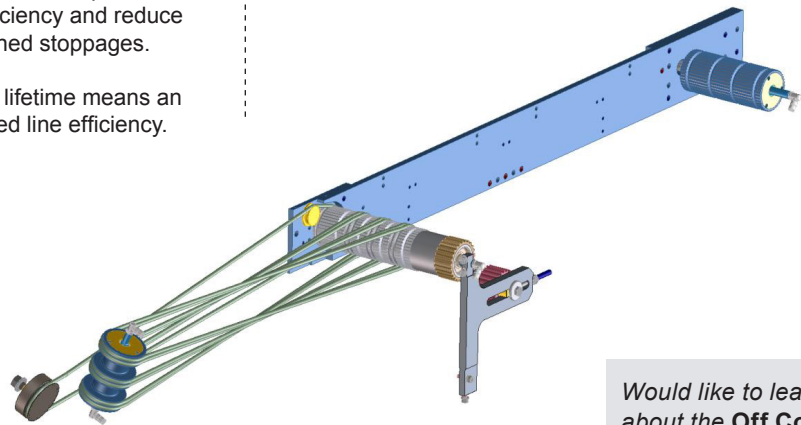
We improved the component by changing the raw material used in the production to a more durable and robust option.

Together with a new positioning of the cross holes, this leads to an improved lubricant distribution.

Additionally the shaft seals have been better positioned and secured on top with a new cover for enhanced stabilization.

Included within this conversion kit is the use of a ceramic grooved ball bearing. This works to improve the line efficiency and reduce unplanned stoppages.

Longer lifetime means an improved line efficiency.



*Would like to learn more about the Off Conveyor conversion kit? Please contact your Service Account Manager.*

- ✓ less wear and tear
- ✓ optimized lubricant distribution
- ✓ improved line efficiency

